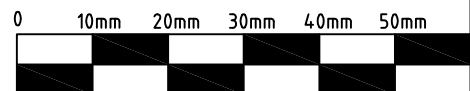
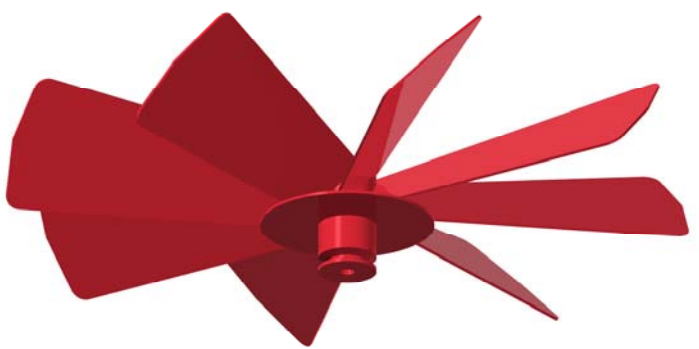
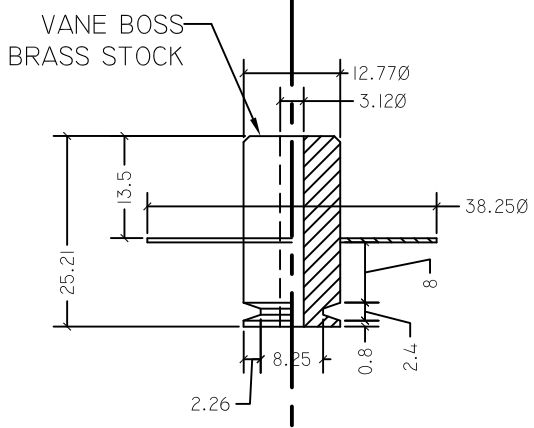


NOTES ON ORIGINAL CONSTRUCTION:
 BACKING PLATE AND BLADES WERE SOFT
 SOLDERED IN PLACE WITH A LARGE MASS OF
 SOLDER UNDER THE BACK EDGE OF THE BLADE
 WHERE IT MEETS THE BASEPLATE.



CAD BRYCE STODDART		Filename RENOWN VERTICAL ENGIN WITH WINDMILL.DWG	Date 17/01/2008
REDRAW PLAN FOR RENOWN VERTICAL STEAM ENGINE & WINDMILL - CIRA 1950'S		WINDMILL BLADE ASSEMBLY	
		WINDMILL BLADE ASSEMBLY	Scale 1:1
		Edition EDITION	Sheet 1