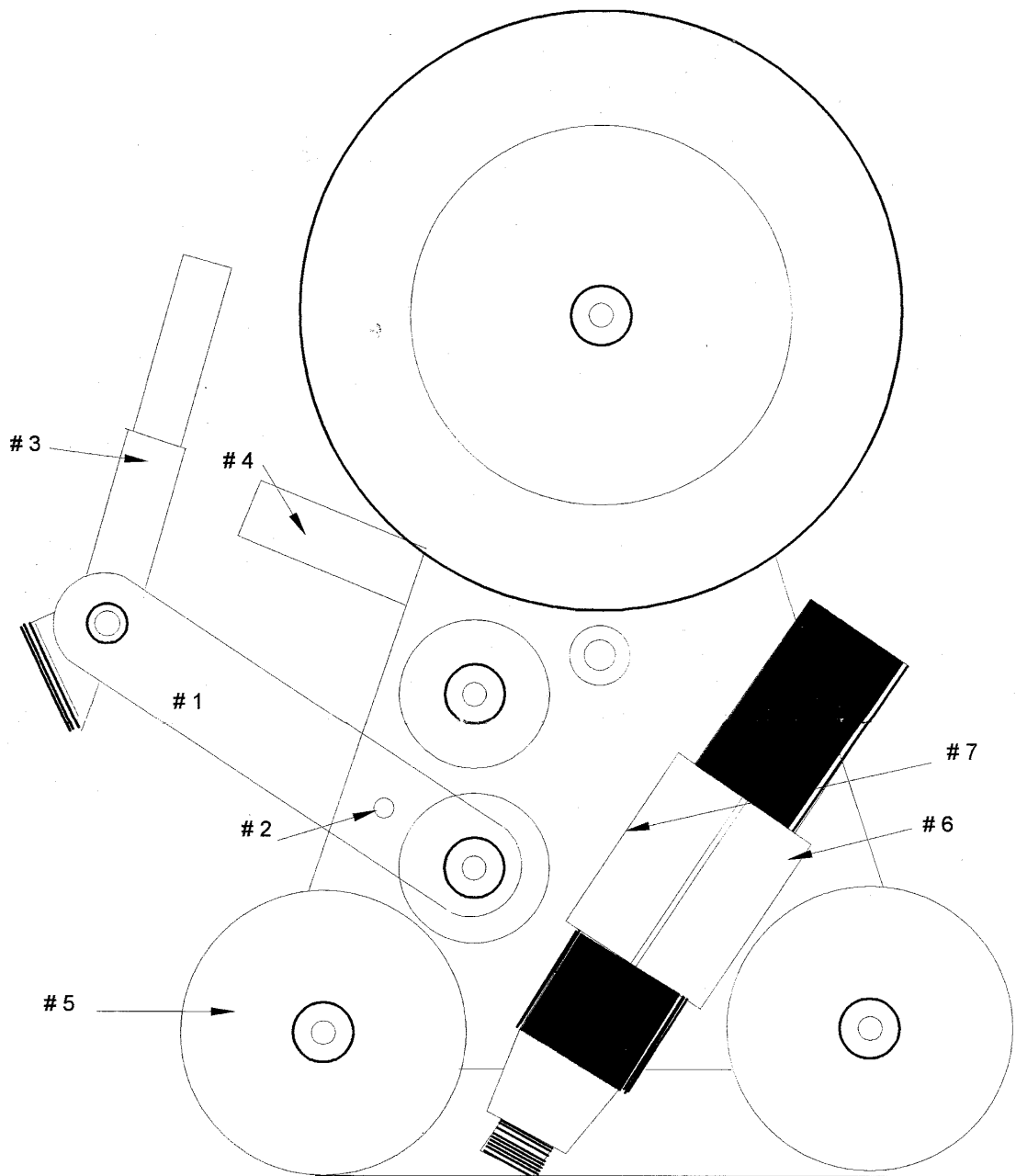


TAPE OPERATION

Make sure that the floor is clean (Metholated Spirits is ideal)
 Mount tape onto tape carrier # 1 with the end of the tape exiting anticlockwise, thread over guide # 2 clockwise and guide # 3 anticlockwise and over wheel #4 clockwise. Pull enough tape through to exit out past tape wiper #5 and press tape onto floor. Place extension lever onto lever #6 and the second extension lever onto the spigot (located above center spike on the extending square tubes).

The tape should be TESA 4169 12 mm width and can be obtained through Peter Ralston N.S.W



PEN OPERATION

Move pressure pad #1 up and secure with screw #2, remove extension lever from #3 and place on lever #4. Remove wheel #5 and place on opposite side of the plate (this is to avoid getting ink on the wheel). Slide pen into pen carrier #6 with the pen just in contact with the floor and gently tighten clamping screw #7. When line starts to fade lift operating lever once to reprime pen.